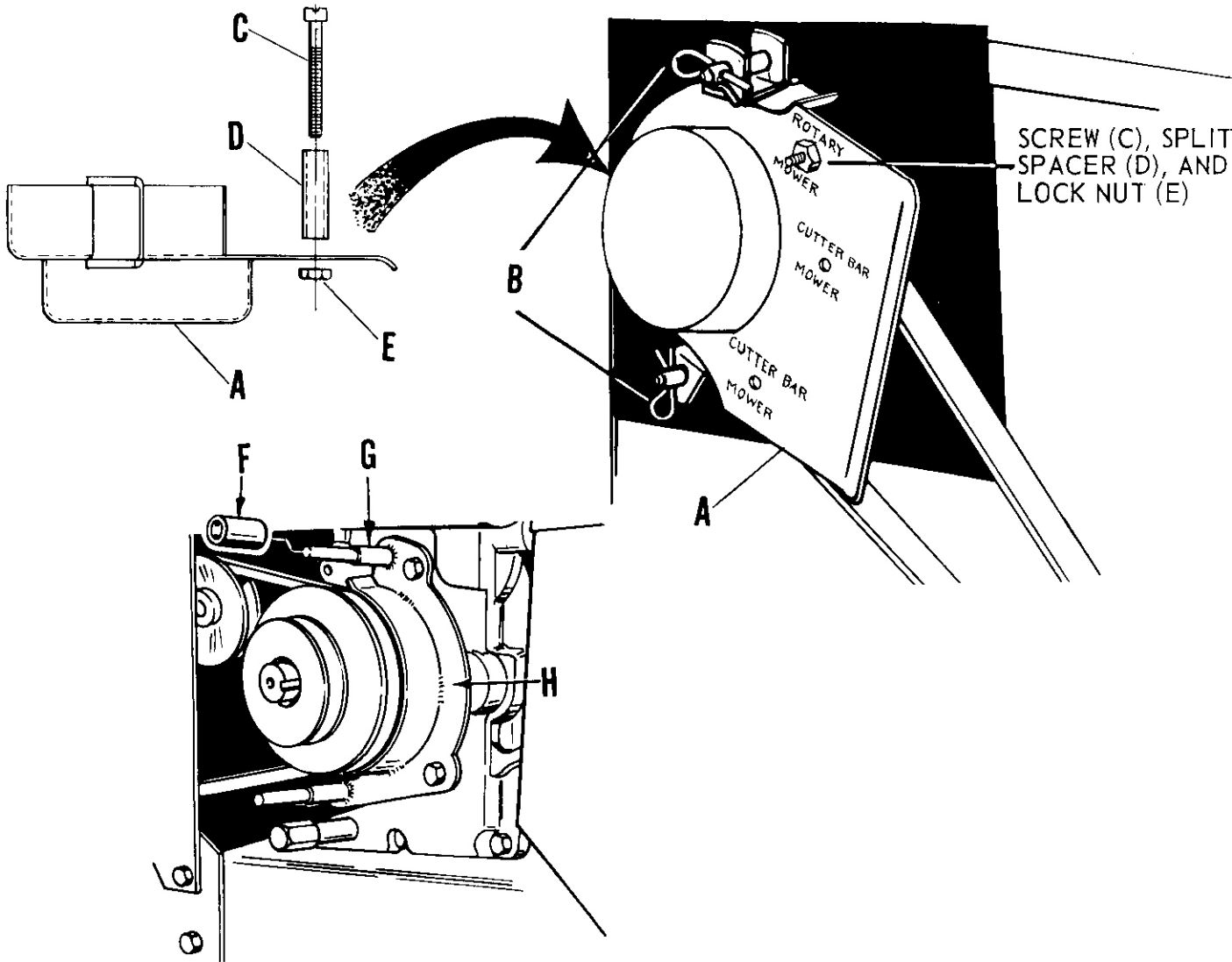


ENGINE BELT GUARD



Your tractor shipment included a new style belt guard (A), for use with various attachments. This belt guard acts as a belt guide and should be installed immediately after attachment belt installation.

ROTARY MOWER

Assemble machine screw (C), split spacer (D), and nut (E), in upper hole of belt guard (A). Items C, D and E shipped in plastic bag.

CUTTER BAR MOWER

There will be two machine screws (C), split spacer (D), and nuts (E), all shipped with the Cutter Bar Mower. Assemble to belt guard (A), as shown above using the two lower holes.

ROTARY SNOW PLOW

Belt guard (A), is used with the Rotary Snow Plow however, machine screw (C), split spacer (D), and nut (E), are not required.

WHEN ATTACHING MOWING EQUIPMENT, REFER TO INSCRIPTION ON BELT GUARD FOR PROPER LOCATION OF BOLT, SPLIT SPACER, AND NUT.

Be sure neoprene spacer (F), is over shoulder on pin (G), of mounting plate and guide assembly (H).

Install belt guard (A), to tractor as shown with two retainer springs (B).